

CHARACTERISTICS

**SBM
700**

1

We present a complete system for drilling chimneys up to 12 feet (3.6 m) in diameter and 1,480 ft (450 m) in length. The system includes an Electro-hydraulic Power Unit with integral controls, a remote Control Station and tools to connect and disconnect pipes.

2

The variable speed and the constant torque of the hydraulic unit allow adjusting the rotation speed to adapt exactly to the drilling conditions of the customer. The change of speeds is carried out hydraulically, which allows a smooth change of the

3

The tandem hydraulic cylinder mechanism is the basis for the low profile design, allowing the machine to be installed for vertical drilling at a station only 16 feet 4¼ in. (5.0 m) high.



TECHNICAL SPECIFICATIONS



CAPACITIES		MINIMUM	MAXIMUM
Range of Capacities (*)	Length	1,480 ft / 450 m	820 ft / 250 m
	Diameter	7 ft / 2.1 m	12 ft / 3.6 m
Main Motor Horsepower		300 hp / 224 kW	
Reaming Thrust (**)		665,000 lbf / 2,960 kN	
Max. Torque		120,355 lbf-ft / 163 kN-m	
Inclination angle		45° - 90°	

(*) The Larger capacities are possible in certain rosk conditions.

(**) At 5,000 psi (35 Mpa)

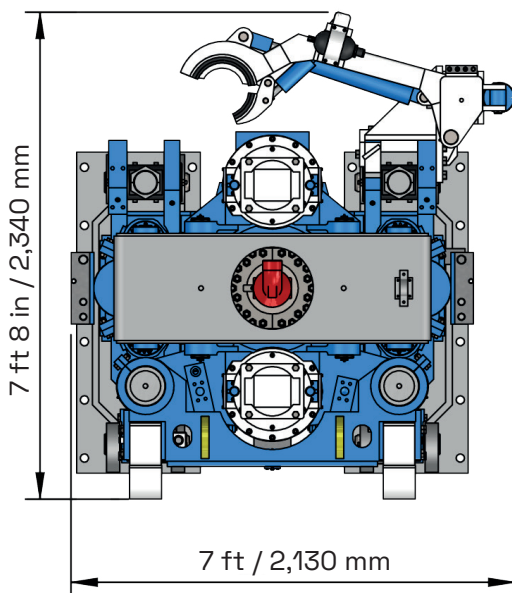
(***) Includes Pipe Positioner weight.

Optional tranporters Crawler or Sled.

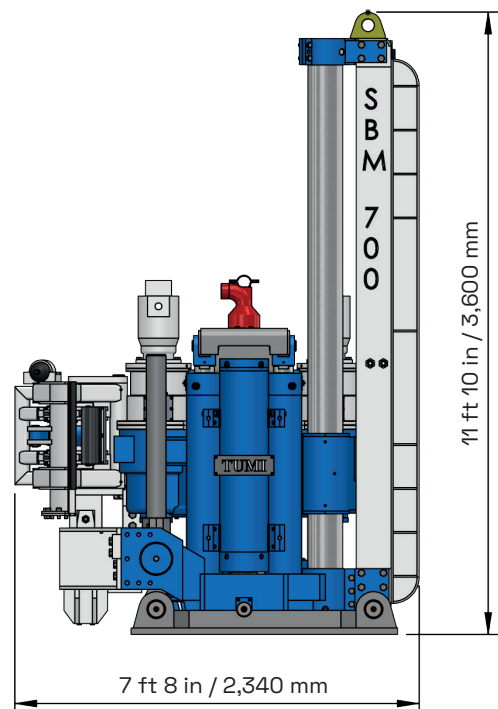
Note: specifications may change without notice.

WEIGHT AND DIMENSIONS	
Machine Width	7 ft / 2,130 mm
Machine Height (Extended)	13 ft 4 in. / 4,060 mm
Machine Height (Retracted)	11 ft 10 in. / 3,600 mm
Maximum Machine Height in Angles	14 ft / 4,267 mm
Machine Depth	7 ft 8 in. / 2,340 mm
Weight (***)	30,000 pounds / 13,650 kg
Drill Pipe	10 in. x 5 ft / 254 mm x 1.5 m 11 1/4 in. x 5 ft / 286 mm x 1.5 m
Workstation Height	16 ft 5 in / 5,0 m

Top View



Lateral View



MEXICO

sales.mexico@tumirb.com.mx
Mobile.: +52 449 196 3210
Aguascalientes, Aguascalientes

BRAZIL

sales.brasil@tumirb.com.br
Mobile.: +55 31 97238 9320
Belo Horizonte, Minas Gerais

PERU

sales.peru@tumirb.com
Mobile.: +51 982 483 947
Lima, Lurín

ZAMBIA

sales.zambia@tumirb.com.zm
Mobile.: +26 076 275 5449
Kitwe, Copperbelt Province

USA

sales.usa@us-tti.com
Mobile.: +51 994 823 167
Houston, Texas