

CHARACTERISTICS

SBM **400SR**

1

SAFETY

- Semi-automatic machine operation with Raise Boring system that only needs two operators.
- Equipped with a Pipe Positioner that places and removes the drill pipe during the drilling process. It has an upper and lower hydraulic wrenches to make-up and break-out threaded

2

ENVIRONMENTAL HEALTH

- This is an environmentally friendly machine that only requires electricity and water or air for its operation.

3

MAXIMUM PRODUCTIVITY

- Permanently attached to the self-propelled crawler that allows it to be transported from site to site without assistance.
 - Electro-hydraulically equipped to self-level and secure to the gallery for drilling.
 - No concrete pad needed as standard Raise Boring machines require.
 - Fully integrated power and control system.
- Designed with tandem thrust cylinders to fit in small galleries.



TECHNICAL SPECIFICATIONS

SBM 400SR

CAPACITIES		MINIMUM	MAXIMUM
Range of Capacities (*)	Length	1 180 ft/ 360 m	525 ft/ 160 m
	Diameter	4 ft/ 1.2 m	7 ft/ 2.1 m
Main Motor Horsepower		200 hp / 150 kW	
Reaming Thrust (**)		330,000 lbf / 1,470 kN	
Max. Torque		56,500 lbf-ft / 76 kN-m	
Inclination angle		45° - 90°	

CRAWLER SPECIFICATIONS		
Max. Speed	2.8 ft/s / 0.8 m/s	1.9mph / 3 km/h
Diesel Engine Power @2500 rpm	138 hp / 103 kW	
Max. Gradient	15°	

WEIGHT AND DIMENSIONS	
Machine Width	8 ft 2 in / 2,488 mm
Machine Height (Retracted)	10 ft 6 in / 3,192 mm
Workstation Height	13 ft 10 in / 4,220 mm
Max. Length Machine	18 ft 4 in / 5,591 mm
Weight (***)	40,700 pounds / 18,500 kg
Drill Pipe	10 ft 3 in / 254 mm x 0.91 m

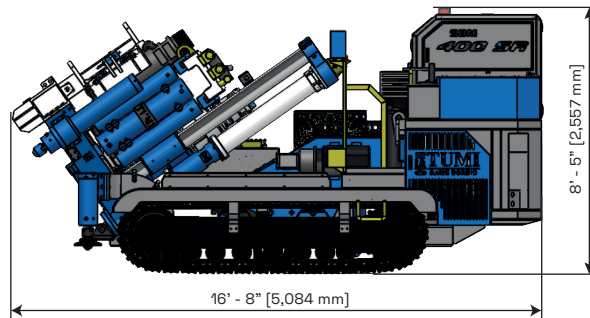
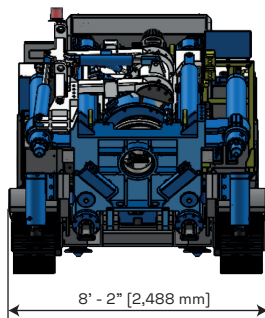
(*) The Larger capacities are possible in certain rock conditions.

(**) At 5,000 psi (35 Mpa)

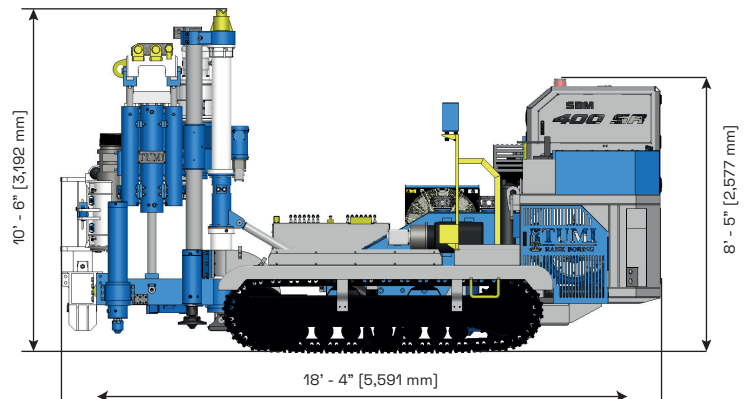
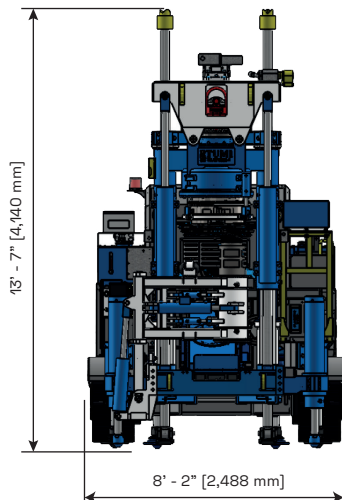
(***) Includes the weight of the crawler.

Note: Specifications may change without notice

Machine in Transport Mode



Machine in vertical position



MEXICO

sales.mexico@tumirb.com.mx
Mobile.: +52 449 196 3210
Aguascalientes, Aguascalientes

BRAZIL

sales.brasil@tumirb.com.br
Mobile.: +55 31 97238 9320
Belo Horizonte, Minas Gerais

PERU

sales.peru@tumirb.com
Mobile.: +51 982 483 947
Lima, Lurín

ZAMBIA

sales.zambia@tumirb.com.zm
Mobile.: +26 076 275 5449
Kitwe, Copperbelt Province

USA

sales.usa@us-tti.com
Mobile.: +51 994 823 167
Houston, Texas