

CHARACTERISTICS

SBM 400

1

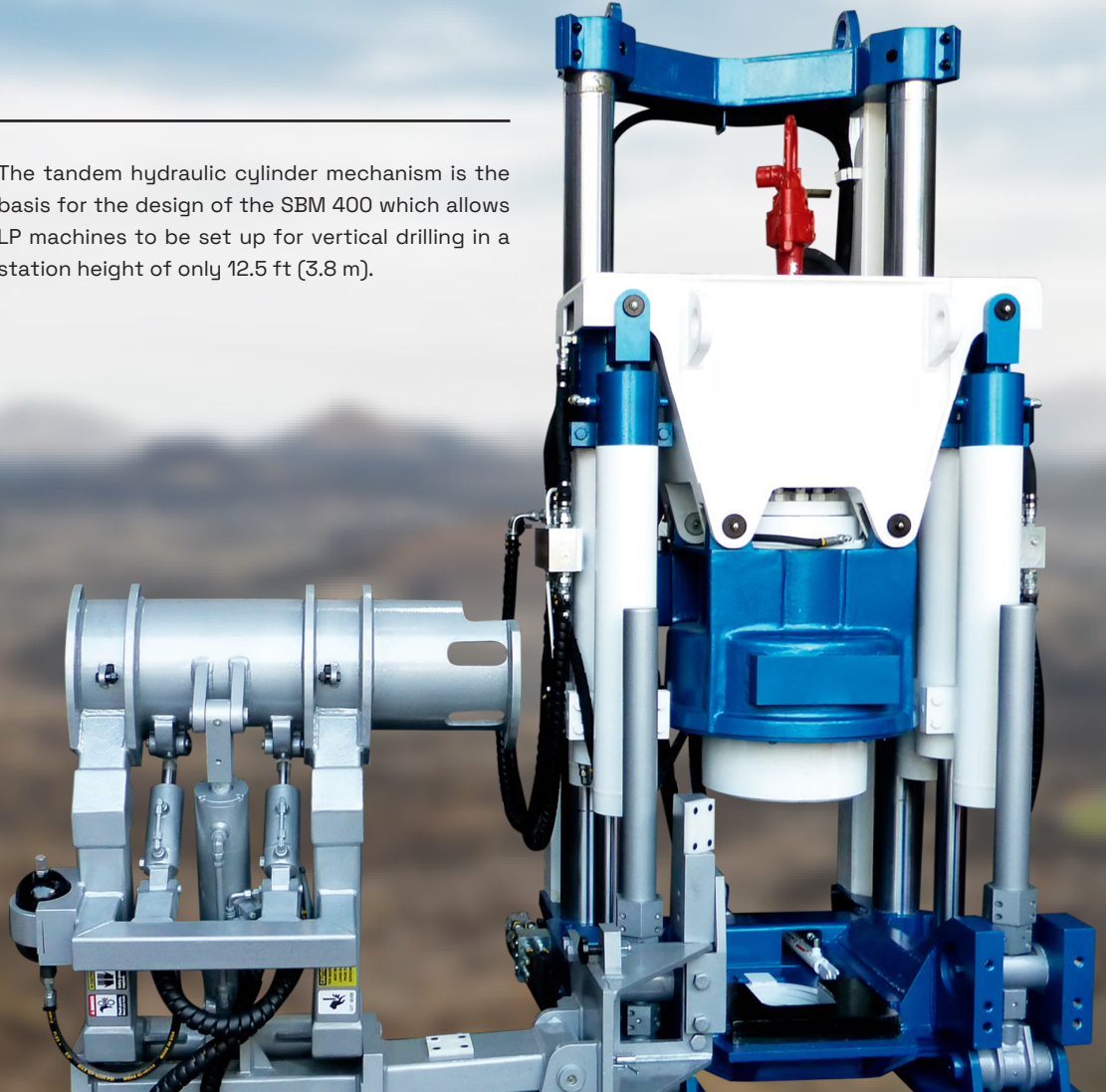
Here is a complete system for drilling long holes and boring raises as large as 7 ft (2.1 m) in diameter and up to 1,250 ft (380 m) in length. System includes an Electrohydraulic Power Pack with integral controls, a Remote Control Station plus tools to make or break threaded pipe connections.

2

Infinitely variable speed and constant torque of the hydraulic drive enable you to adjust rotary speed to exactly match your drilling conditions.

3

The tandem hydraulic cylinder mechanism is the basis for the design of the SBM 400 which allows LP machines to be set up for vertical drilling in a station height of only 12.5 ft (3.8 m).



TECHNICAL SPECIFICATIONS

SBM 400

CAPACITIES		MINIMUM	MAXIMUM
Range of Capacities (*)	Length	1,250 ft / 380 m	590 ft / 180 m
	Diameter	4 ft / 1.2 m	7 ft / 2.1 m
Main Motor Horsepower		200 hp / 150 kW	
Reaming Thrust (**)		354,000 lbf / 1,570 kN	
Max. Torque		59,650 lbf-ft / 80 kN-m	
Inclination angle		45° - 90°	

(*) High capacities are possible in certain rock conditions.

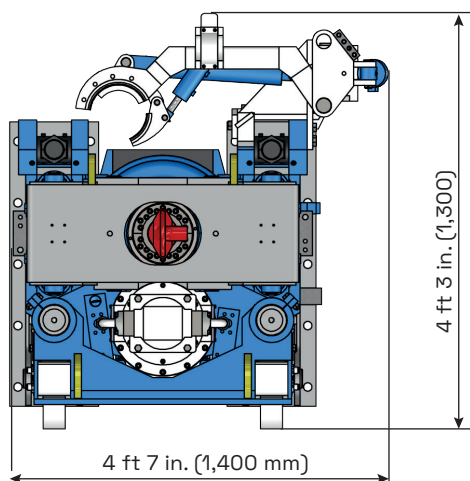
(**) At 5,000 psi (35 Mpa)

(***) Includes Pipe Positioner weight.
Optional transporters Crawler or Sled.

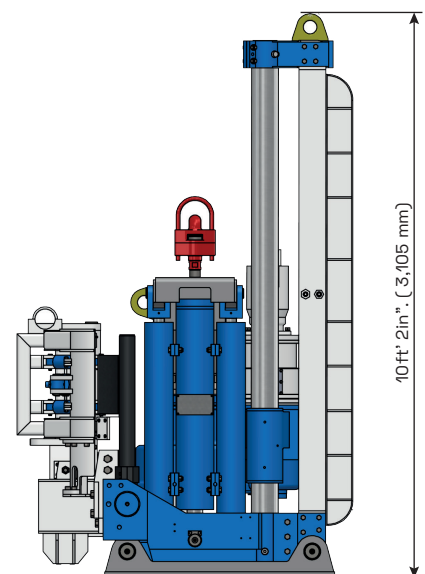
Note: Specifications may change without notice.

CRAWLER SPECIFICATIONS	LP
Machine Width	4 ft 7 in 1,400 mm
Machine Height (extended)	12 ft 8 in 3,870 mm
Machine Height (retracted)	10 ft 2 in 3,105 mm
Max. Machine Height in Angles	13 ft 1 in 4,000 mm
Machine Depth	4 ft 3 in 1,300 mm
Weight (***)	16,280 pounds 7,400 kg
Drill Pipe	10 in x 5 ft 254 mm x 1,5 m
Required Height in Gallery	14 ft 9 in 4,5 m

Top View



Lateral View



MEXICO

sales.mexico@tumirb.com.mx
Mobile.: +52 449 196 3210
Aguascalientes, Aguascalientes

BRAZIL

sales.brasil@tumirb.com.br
Mobile.: +55 31 97238 9320
Belo Horizonte, Minas Gerais

PERU

sales.peru@tumirb.com
Mobile.: +51 982 483 947
Lima, Lurín

ZAMBIA

sales.zambia@tumirb.com.zm
Mobile.: +26 076 275 5449
Kitwe, Copperbelt Province

USA

sales.usa@us-tti.com
Mobile.: +51 994 823 167
Houston, Texas