

SBM **300**

CHARACTERISTICS

1

Here is a complete system for drilling long holes and boring raises as large as 5 ft (1.5 m) in diameter and up to 500 ft (150 m) in length. System includes an Electrohydraulic Power Pack with integral controls, a Remote Control Station plus tools to make or break threaded pipe connections

2

Infinitely variable speed and constant torque of the hydraulic drive enable you to adjust rotary speed to exactly match your drilling conditions. Shifting is done hydraulically for a smooth change into either the high-speed range for pilot hole drilling or the low-speed range for reaming.

3

The tandem hydraulic cylinder mechanism is the basis for the low profile design which allows the machines to be set up for vertical drilling in a station height of only 13 ft - 1 in (4.6 m).



TECHNICAL SPECIFICATIONS



CAPACITIES		MINIMUM	MAXIMUM
Range of Capacities (*)	Length	490 ft / 150 m	160 ft / 50 m
	Diameter	3.5 ft / 1 m	5 ft / 1.5 m
Main Motor Horsepower		150 hp / 112 kW	
Reaming Thrust (**)		137,000 lbs / 610 kN	
Max. Torque		25,000 lb-ft / 35 kN-m	
Inclination angle		45° - 90°	

(*) High capacities are possible in certain rock conditions.

(**) At 5,000 psi (35 Mpa)

(***) Includes Pipe Positioner weight.

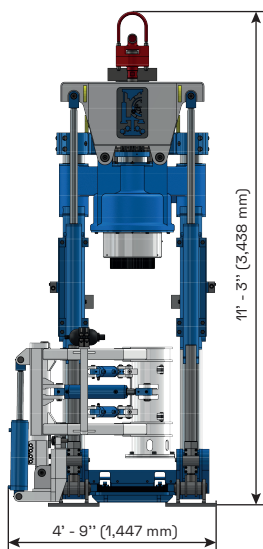
(****) Referential

Optional conveyor: Crawler (autonomous caterpillar) or Sled.

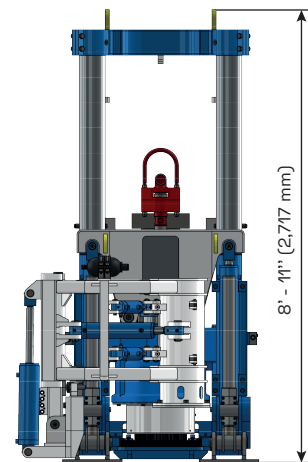
Note: Specifications may change without notice..

WEIGHT AND DIMENSIONS	
Machine Width	4 ft 9 in. 1,447 mm
Machine Height (extended)	11 ft 3 in. 3,438 mm
Machine Height (retracted)	8 ft 11 in. 2,717 mm
Machine Depth	5 ft 1,520 mm
Weight (***)	8,800 lbs 4,000 kg
Drill Pipe	8 in. x 4 ft 203 mm x 1.2 m
Required Height in Gallery (****)	13 ft 1 in. 4.0 m

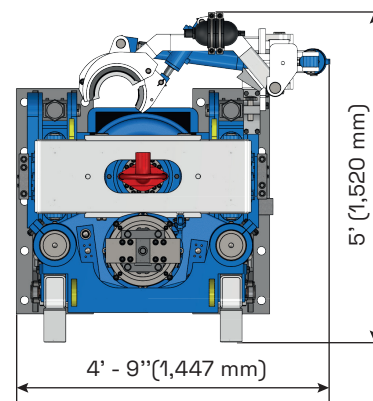
Extended View



Retracted View



Top View



MEXICO

sales.mexico@tumirb.com.mx
Mobile.: +52 449 196 3210
Aguascalientes, Aguascalientes

BRAZIL

sales.brasil@tumirb.com.br
Mobile.: +55 31 97238 9320
Belo Horizonte, Minas Gerais

PERU

sales.peru@tumirb.com
Mobile.: +51 982 483 947
Lima, Lurín

ZAMBIA

sales.zambia@tumirb.com.zm
Mobile.: +26 076 275 5449
Kitwe, Copperbelt Province

USA

sales.usa@us-tti.com
Mobile.: +51 994 823 167
Houston, Texas